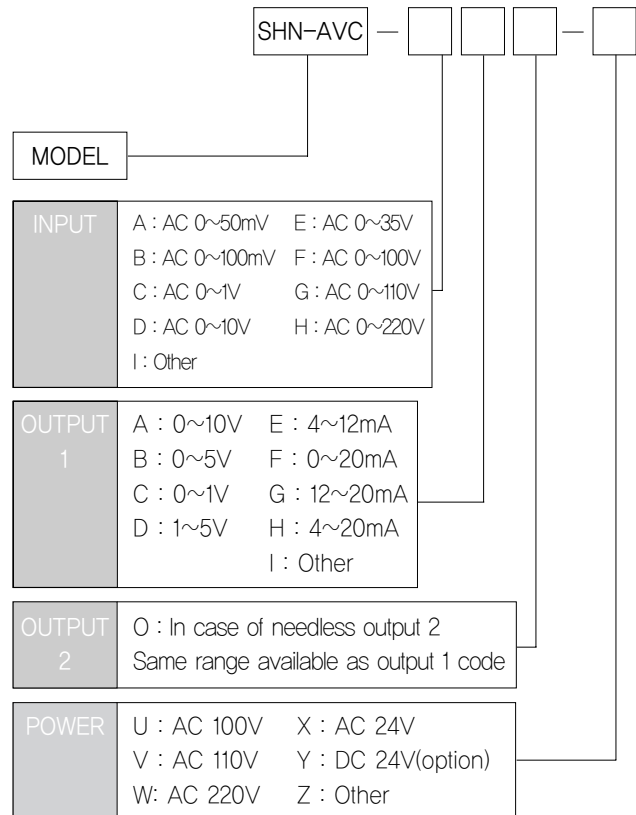




- Converting an alternating voltage into a standard DC process signal.
- Monitoring abnormal voltage drops for detecting over load.
 - Measuring the rotating or moving speed of multi-speedmotors, belt conveyers, and metering pumps.
 - True R.M.S. sensing.
 - 1 or 2 outputs are available from 1 input.
 - Contains overvoltage protection circuit.
 - Transformer isolation type.

MODEL & SUFFIX CODE SELECTION



GENERAL SPECIFICATIONS

Input	AC Voltage(PT)		
Isolation/Type	Input to output to power/Transformer isolation type		
Power Supply	AC rating ±10%, approx. 3.5VA DC rating ±10%, (ripple 10%)100mA		
Accuracy	±0.35%(Max)		
Temp Coefficient	±0.02%, / °C(±0.008% / °F)		
Ripple	0.5% p-p(Max)		
Linearity	±0.3% F.S		
Insulation Resistance	Greater than 100MΩ with DC 500V		
Dielectric Strength	Input - Power	AC 2500V	1 minute
	Input - Output		
	Output 1 - Output 2		
	GND - Power		
Front Adjustments	Zero and Span ±5%		
Overrange Output	approx.-10% ~ 110% at DC 1~5V		
Response Time	≤0.5 sec (0~90%)		
Operating Temperature/Humidity	-20~60°C / 90%(N.C)		
Storage Temperature/Humidity	-20~80°C / 95%(N.C)		
Dimensions	8 pin:W50xH85xD122(mm) 11 pin:W50xH85xD133(mm)		
Case Material	ABS Resin (black)		
Weight	about 400g		
Mounting	Wall & Rail mounting		

INPUT & OUTPUT SPECIFICATIONS

Input Impedance

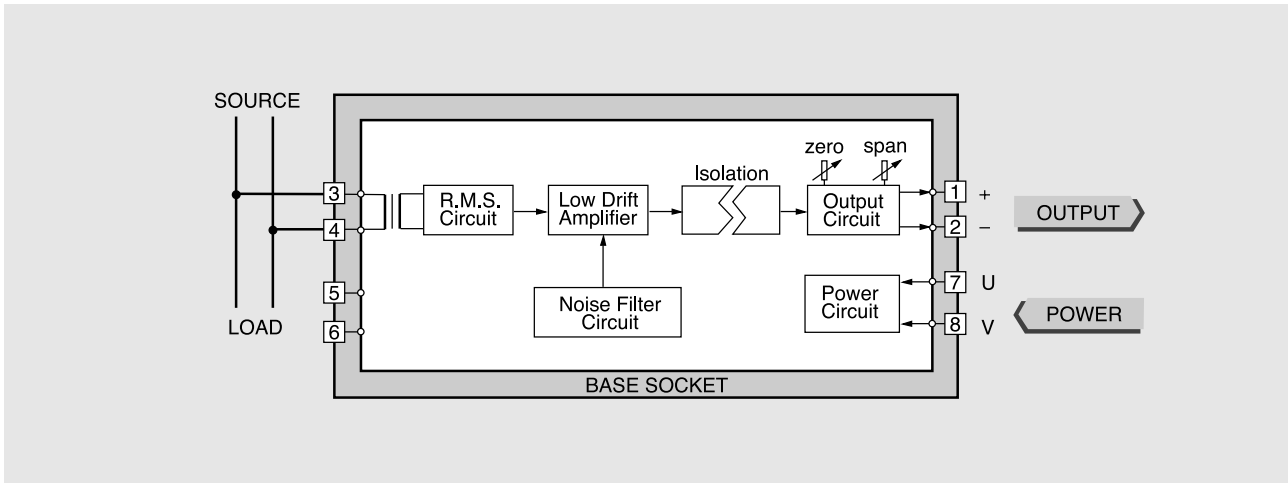
Specification	Report
Frequency	50Hz or 60Hz
Input Burden	0,5VA(Max)

Output Load Resistance

Output	1 Point	2 Point		Remark
	Output	Output-1	Output-2	
4 ~ 20mA	700Ω	600Ω	350Ω	(Max)
0 ~ 20mA	700Ω	600Ω	350Ω	(Max)
2 ~ 10mA	1200Ω	1200Ω	700Ω	(Max)
1 ~ 5V	5000Ω	5000Ω	5000Ω	(Min)
0 ~ 1V	1000Ω	1000Ω	1000Ω	(Min)

BLOCK DIAGRAM

1 Point Output



2 Point Output

